

Osé

TAVOLO / TABLE / TABLE

code: **OSE**



Struttura: tubi in acciaio verniciati a polvere, nelle finiture per metalli in collezione

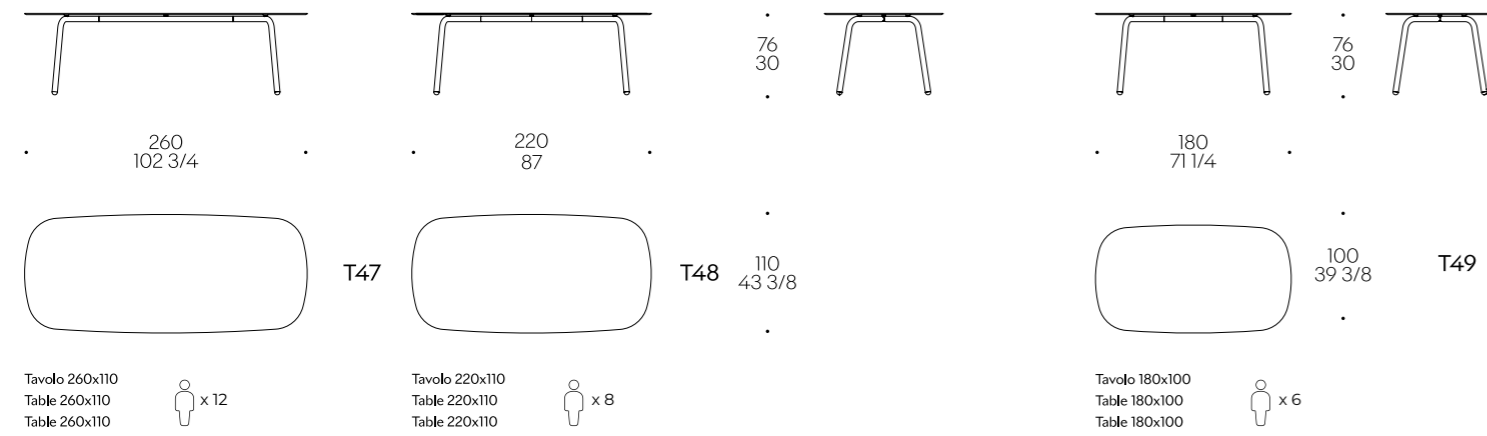
Piani: vetro temperato extrachiaro o fumé spessore 12mm, ceramica spessore 6mm accoppiata a vetro spessore 10mm

Structure: steel pipes powder coated, in the finishes for metals in the collection

Top: extra-clear or smoked tempered glass 12mm thick, ceramic thickness 6mm coupled to glass thickness 10mm

Structure: tubes en acier enduits de poudre, dans les finitions pour métaux en collection

Plans: verre trempé extraclair ou fumé épaisseur 12mm, céramique épaisseur 6mm couplé à verre épaisseur 10mm



Finiture / Finishings / Finitions

2. BASE / BASE / BASE
Metallo (Nero / Bianco / Rame / Oro)
Metal (Black / White / Copper / Gold)
Metal (Noir / Blanc / Cuivre / Or)
10. PIANO / TOP / PLATEAU
Ceramica - Vetro (Fumé / Extrachiaro)
Ceramic - Glass (Smoked / Extra clear)
Céramique - Verre (Fumé / Extra clair)

